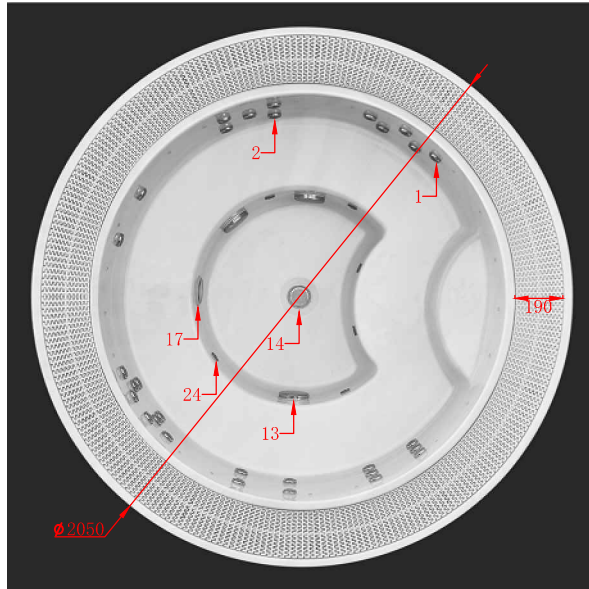
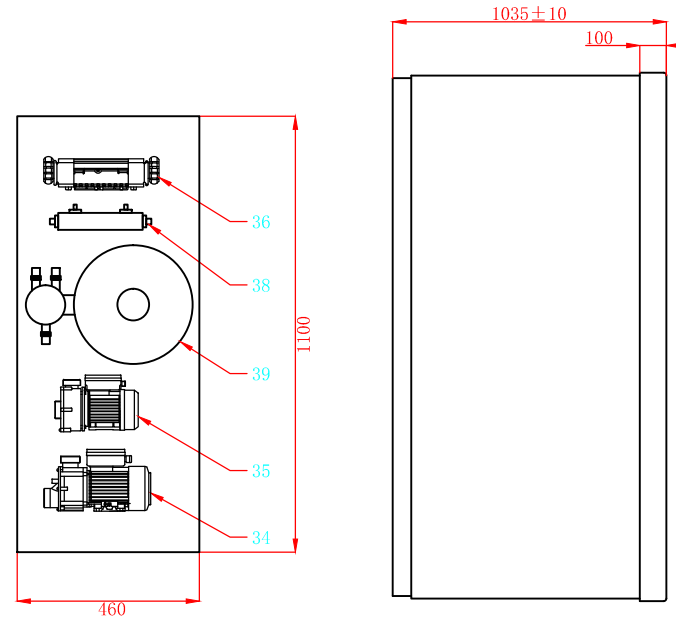


Athen



drain valve



Item	name	hole size	number	Item	name	hole size	number
1	2"directional jet	ø38	16	2	2"double roto jet	ø38	14
3	2.5"directional jet	ø46		4	2.5"double roto jet	ø46	
5	3.5"directional jet	ø65		6	3.5"roto jet	ø65	
7	3.5"double roto jet	ø65		8	4.5"roto jet	ø65	
9	4.5"double roto jet	ø65		10	5"roto jet	ø95	
11	7"big shower jets	ø95		12	air jet	ø30	
13	200GPM suction	ø85	3	14	drain (90GPM)	ø60	1
15	air regulator	ø44		16	water controler	ø56	
17	LED light	ø95	1	18	water diverter	By request	
19	aromatherapy	ø44		20	control panel	By request	
21	filter	By request		22	waterfall	ø65	
23	Water jet nozzle	ø38		24	Circulating nozzle	ø30	6
25	drain	ø32					
34	LP300 3HP Water pump		1	35	Circulating pump		1
36	Controller		1	37	Air pump		
38	UV		1	39	Sand filter		1